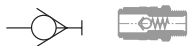
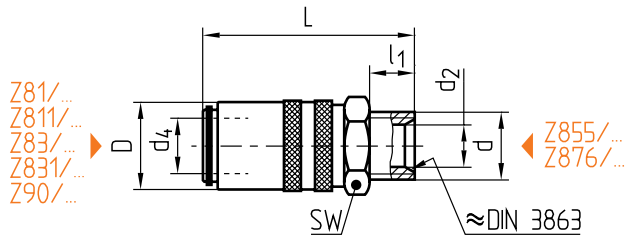


Z807/...

Mat.: 2.0401



► Info



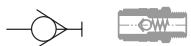
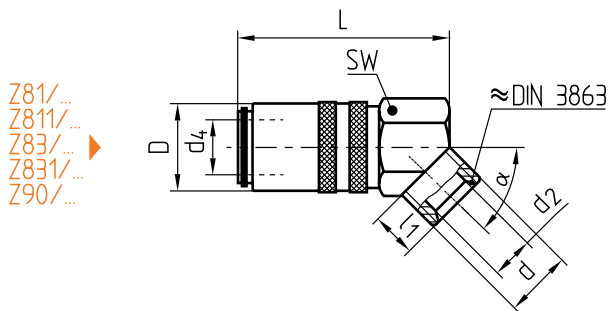
| p [bar] | max. °C | D | SW | d ₂ | L | l ₁ | d ₄ | d | Nr./No. |
|---------|------------|----|----|----------------|----|----------------|----------------|----------------|----------------|
| 10 | Viton®/200 | 17 | 17 | 6 | 48 | 9 | 9 | M14x1,5 | Z807/ 9/14x1,5 |
| 15 | | 22 | 22 | 9 | 52 | | 13 | M16x1,5 | 13/16x1,5 |
| 20 | | 31 | 30 | 15 | 78 | 16 | 19 | M24x1,5 | 19/24x1,5 |
| | | | | 13 | 74 | 12 | | G1/2A | 19/R1/2 |

Z807/.../45

Mat.: 2.0401



► Info



| p [bar] | max. °C | D | SW | d ₂ | L | l ₁ | d ₄ | d | α | Nr./No. |
|---------|------------|----|----|----------------|----|----------------|----------------|----------------|------------|-------------------|
| 10 | Viton®/200 | 17 | 17 | 6 | 47 | 9 | 9 | M14x1,5 | 45° | Z807/ 9/14x1,5/45 |
| 15 | | 22 | 22 | 9 | 54 | | 13 | M16x1,5 | | 13/16x1,5/45 |
| 20 | | 31 | 30 | 13 | 80 | 18 | 19 | M24x1,5 | | 19/24x1,5/45 |

This is trial version
www.adultpdf.com